



# SINKS



**PSN1-1000 PEWTER GREY**

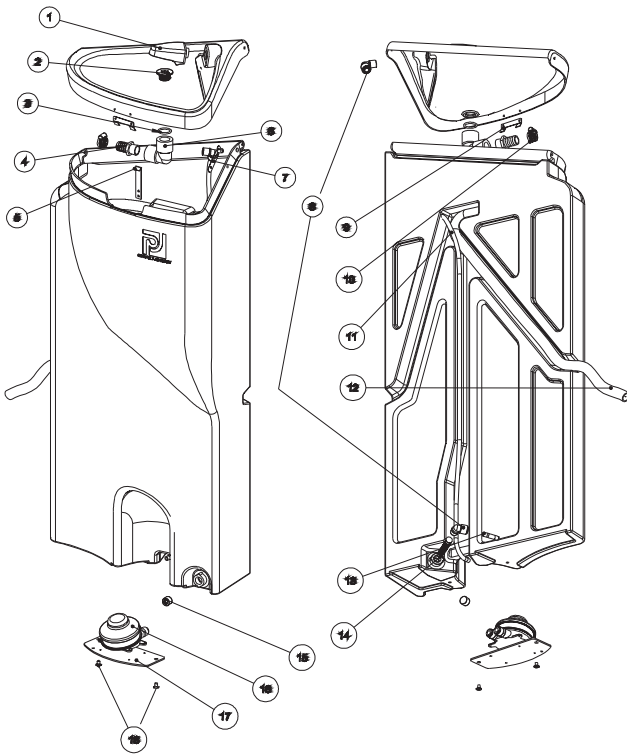
## SINGLE USER WASH STAND FOR PJN3™ RESTROOM

Height	40 in	102 cm
Width	17.5 in	44 cm
Depth	8.5 in	22 cm
Capacity	16 gal	61L
Weight	16 lbs	7.2 kg
Weight w/Fresh Water	154 lbs	69 kg

**Note:**

In certain geographical areas of the USA, a warning decal, "Not for Drinking or Cooking" is required. This sink is supplied with PC-000782 Warning Decal, which is located directly below the faucet. It is suggested that this decal be replaced if it becomes damaged or worn out.

**All materials, including resin, pigments and additives used to make the plastic components as well as the plumbing components that come in contact with the fresh water supply are U.S. Government Food & Drug Administration (FDA) food grade compliant materials**



ITEM	PART #	DESCRIPTION	REQ'D
1	PC-000581	Sink Tap	1
2	PC-000308	Strainer, Plastic Sink	1
3	PSN1-0002	PSN1 Sink Bowl	1
4	PC-000310	O-Ring 1/8" x 1"	1
5	PC-000321	Adapter, 3/4" MPT x 3/4" Barb	1
6	PC-000224	Clip, Locking For PSN1 Sink	1
7	PSN1-0001	PSN1 Sink Tank	1
8	PC-000107	Rivet - 616 - Small Flange	4
9	PC-000322	Elbow, 3/4" FPT x 3/4" Barb	1
10	PC-000106	Washer - 3/16" Rivet Back-Up	4
11	PC-100132	Button, Spring Snap	1
12	PC-000111	Washer, 1/8", Back-Up	8
13	PC-000225	Catch Lock	1
14	PC-000351	Hose Clamp, #10	1
15	CH075-041	Drain Hose - 3/4" x 35" Long	1
16	CT38-049	Discharge Tube - 3/8" x 42" Long	1
17	PC-000339	Elbow, Fem 3/8" Tube x 3/4" NPT	2
18	PC-000305	Swirlpool Plastic Filter	1
19	PC-000551	Drain Plug, 1/2" NPT, Black	1
20	PC-000600	Pump, Baby Foot	1
21	PSN1-0050	Plate, Foot Pump	1
22	PC-000135	Screw, 1/4"-20 x 1/2" CSNK.	2
23	PC-000110	Rivet, AD48ABS	9
24	CT38-003	Intake Tube - 3/8" x 2" Long	1
25 *	PC-000783	Transport Decal	1

\* Not Shown in Diagram