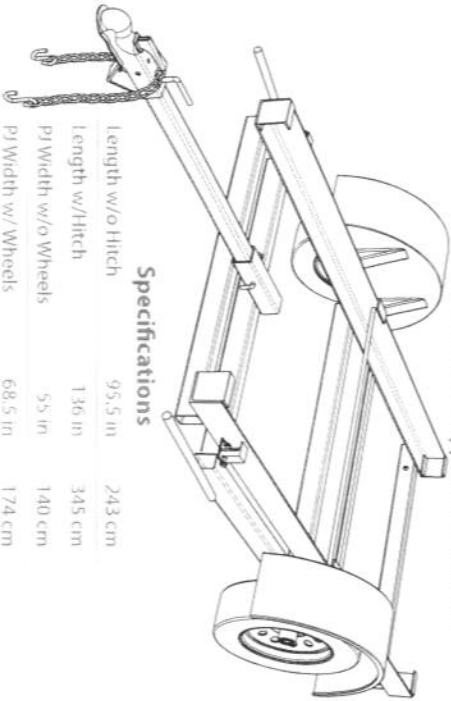




Double Trailer Chassis TU02-1000 / TU02-1001 Technical Information

General Overview

The *PJ Double Trailer - TU02-1000* and the *Fleet Double Trailer - TU02-1001* are equipped with a drop axle and removable tongue, which are both galvanized after fabrication to minimize rusting. Tail lamps, reflectors and electrical hookup are included. Shipped unassembled.



Specifications

Length w/o Hitch	95.5 in	243 cm
Length w/Hitch	136 in	345 cm
PJ Width w/o Wheels	55 in	140 cm
PJ Width w/ Wheels	68.5 in	174 cm
Fleet Width w/o Wheels	58.75 in	149 cm
Fleet Width w/ Wheels	72.25 in	184 cm
Height w/o Wheels	7.5 in	19 cm
Height w/ Wheels	25 in	64 cm
Weight w/o Units	450 lbs	204 Kg
Ball Spce	2 in	5.08 cm
GAWR/GAWP	1700 lbs	771 kg

POLYJOHN USA

Polyjohn Enterprises Corp
2500 Caspary Ave.
Whiting, IN 46394
Phone: 800-297-1305
Fax: 219-659-0625
www.polyjohn.com
info@polyjohn.com

POLYJOHN WORLDWIDE

Polyjohn (UK) Ltd
Fountain 1 Academy Lane
Wetherby, England LS22 7JG
Phone: 44 (0) 1937 583333
Fax: 44 (0) 1937 583337
sales@polyjohn.co.uk
info@polyjohn.co.uk

POLYJOHN CANADA

Polyjohn Canada
100 Box 2300
1991 Forest Hill Rd
Collin, Ontario L1C 0G7
Phone: 905 465 9090
Fax: 905 475 8290
info@polyjohn.ca

TU02-1000 January 2005
September 2005
Page 1 of 2

Assembly Instructions

Step 1: Remove the cotter pin from the 5/8" hitch pin and pull the wires out of the tongue assembly mount.

Step 2: Insert the tongue assembly into the tongue assembly mount. Line up the holes and insert the hitch pin and secure in place with the cotter pin.

Left Wheel Assembly to Trailer Chassis:

Step 3: Pull up the ring of the round lynch pin and remove from the left side axle (making sure to leave the PC-0001 24 flat washer on the axle).

Step 4: Insert the 1-1/4" tube (located on the arm of the left wheel assembly) onto the left side axle. Reinsert the lynch pin into the hole of the axle and push the ring down to secure.

Repeat Steps 3 & 4 for the Right Side Wheel Assembly to the Trailer Chassis.

The units may now be loaded onto the trailer (follow the instructions below).

Step 5: Remove the D Clip from the left side of the chassis. Pull the arm of the wheel assembly down and out clearing the hold down clip. While pushing against the chassis, pull the arm up and insert the flat bar of the wheel assembly up into the slot of the armlock (lining up the hole of the flat bar with the one in the armlock). Insert the D clip through the holes securing in place.

Repeat Step 5 for the Right Side Wheel Assembly to the Trailer Chassis.

Loading Units onto Chassis:

The trailer must be in the lowered position before loading the units onto the trailer.

Load the units onto the trailer facing back to back.

Step 1: Remove the nuts, bolts and washers from underneath the front hold-down channels.

Step 2: Remove the two cotter pins from the 5/8" round center hold-down bar and remove the bar and center hold-down angles.

Step 3: Slide the first unit onto the trailer chassis (making sure to push to the end so it fits underneath the rear welded channels).

Step 4: Reinsert the center 5/8" round hold-down bar through both sides of the chassis.

Step 5: Slide the second unit onto the trailer.

Step 6: Place the center angles back on top of the chassis and over the top of both runners (make sure the round bar is through the holes of the angles). Reinsert the cotter pins onto both ends of the 5/8" round center hold down bar securing in place.

Step 7: Reinstall the front hold-down channels, bolts, washers and nuts.

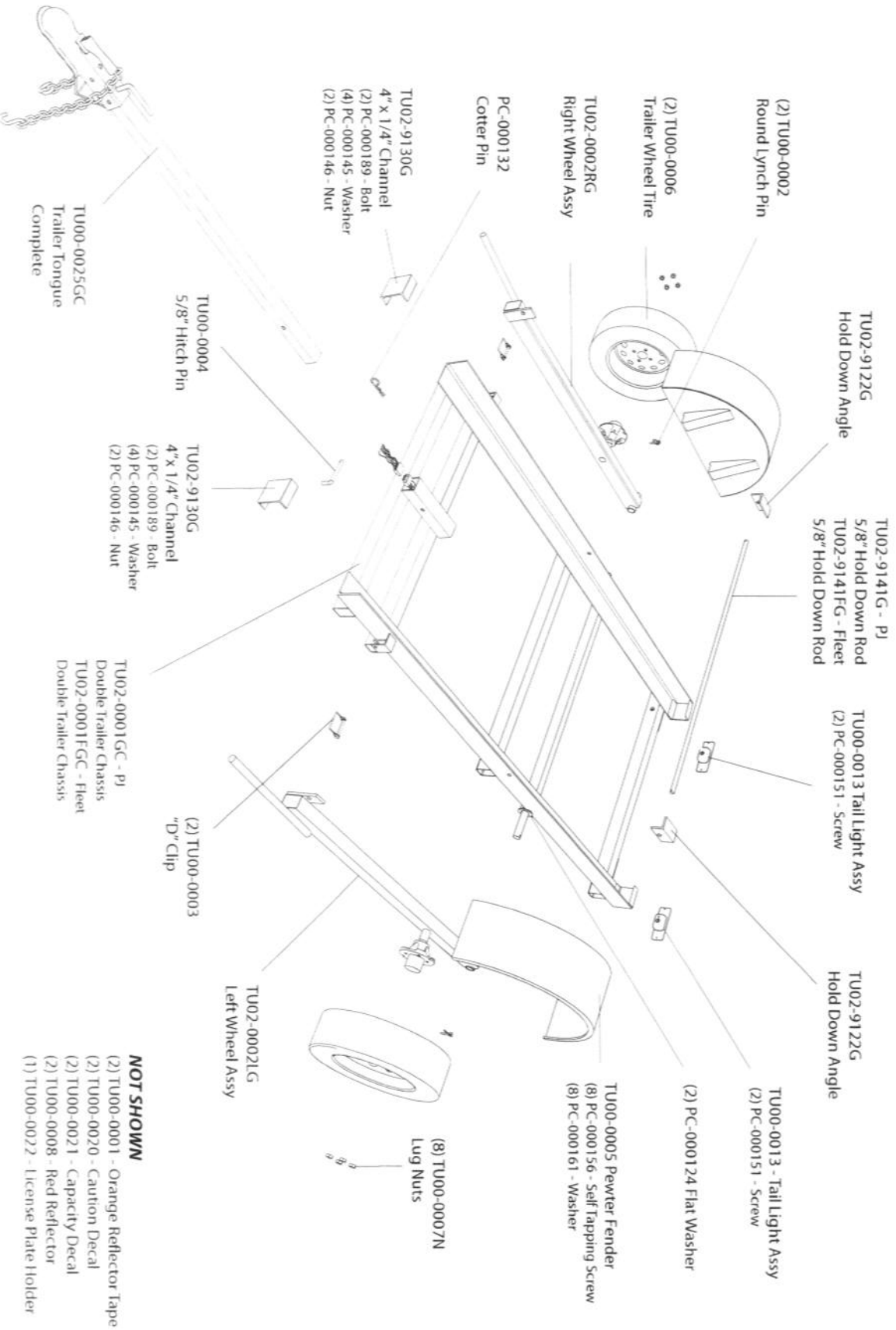
Please reference your vehicle's "Owners Manual" for guidelines on proper towing connections.

THANK YOU FOR PURCHASING POLYJOHN PRODUCTS!

Look for us on the Web at www.PolyJohn.com

Circle 3 on Reader Service
Polyjohn Corp.
1000-0025

TU02-1000 - PJ Double Trailer
TU02-1001 - Fleet Double Trailer



NOT SHOWN

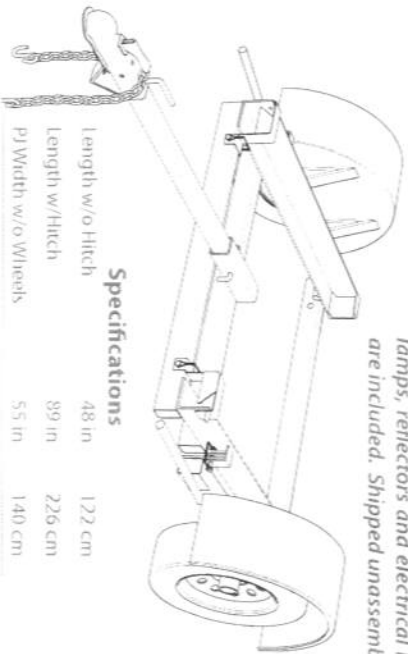
- (2) TU00-0001 - Orange Reflector Tape
- (2) TU00-0020 - Caution Decal
- (2) TU00-0021 - Capacity Decal
- (2) TU00-0008 - Red Reflector
- (1) TU00-0022 - License Plate Holder



Single Trailer Chassis TU01-1000 / TU01-1001 Technical Information

General Overview

The *PJ Single Trailer - TU01-1000 and the Fleet Single Trailer - TU01-1001* are equipped with a drop axle and removable tongue, which are both galvanized after fabrication to minimize rust. Tail lamps, reflectors and electrical hookup are included. Shipped unassembled.



Specifications

Length w/o Hitch	48 in	122 cm
Length w/Hitch	89 in	226 cm
PJ Width w/o Wheels	55 in	140 cm
PJ Width w/ Wheels	68.5 in	174 cm
Fleet Width w/o Wheels	58.75 in	149 cm
Fleet Width w/ Wheels	72.25 in	184 cm
Height w/o Wheels	7.5 in	19 cm
Height w/ Wheel	25 in	64 cm
Weight w/o Unit	263 lb	119 kg
Ball Size	2 in	5.08 cm
GAWR/GAWR	900 lbs	408 kg

POLYJOHN
USA

2700 Knapgar Ave
Whiting, NJ 08594
Phone: 800-293-1595
Fax: 219-659-0625
www.polyjohn.com
info@polyjohn.com

POLYJOHN
WORLDWIDE

Poljohn Enterprises Corp
Equinox Company Corp
Western Industrial S22 Bldg
Phone: 441-919-6100
Fax: 441-919-6100
sales@polyjohn.com
www.polyjohn.com

POLYJOHN
CANADA

Poljohn Canada
455 Hwy 7 S/W
Cortina, Ontario L1V 1G9
Phone: 905-465-9790
Fax: 905-465-8250
info@polyjohn.ca

Assembly Instructions

Step 1: Remove the cotter pin from the 5/8" hitch pin and pull the wires out of the tongue assembly mount.

Step 2: Insert the tongue assembly into the tongue assembly mount. Line up the holes and insert the hitch pin and secure in place with the cotter pin.

Left Wheel Assembly to Trailer Chassis:

Step 3: Pull up the ring of the round lynch pin and remove from the left side axle (making sure to leave the PC-000 124 flat washer on the axle).

Step 4: Insert the 1-1/4" tube (located on the arm of the left wheel assembly) onto the left side axle. Reinsert the lynch pin into the hole of the axle and push the ring down to secure.

Repeat Steps 3 & 4 for the Right Side Wheel Assembly to the Trailer Chassis.

The unit may now be loaded onto the trailer (follow the instructions below).

Step 5: Remove the D Clip from the left side of the chassis. Pull the arm of the wheel assembly down and out clearing the hold down clip. While pushing against the chassis, pull the arm up and insert the flat bar of the wheel assembly up into the slot of the armlock (lining up the hole of the flat bar with the one in the armlock). Insert the D clip through the holes securing in place.

Repeat Step 5 for the Right Side Wheel Assembly to the Trailer Chassis.

Loading Unit onto Chassis:

It is recommended to load the unit facing towards the front of the vehicle when trailering.

For PJ Single Trailer:

Remove the D clips from the left and right side hold-down brackets in the front of the chassis. Remove both hold-down brackets. Slide the unit onto the chassis (making sure to push to the end so it fits underneath the rear hold-down brackets). Reinsert both hold-down brackets and D clips securing in place.

For Fleet Single Trailer:

Remove the bolts, washers and nuts from the hold-down brackets. Slide the unit onto the chassis. Reinsert and tighten the bolts, washers and nuts.

Please reference your vehicle's "Owners Manual" for guidelines on proper towing connections.

MISSION STATEMENT

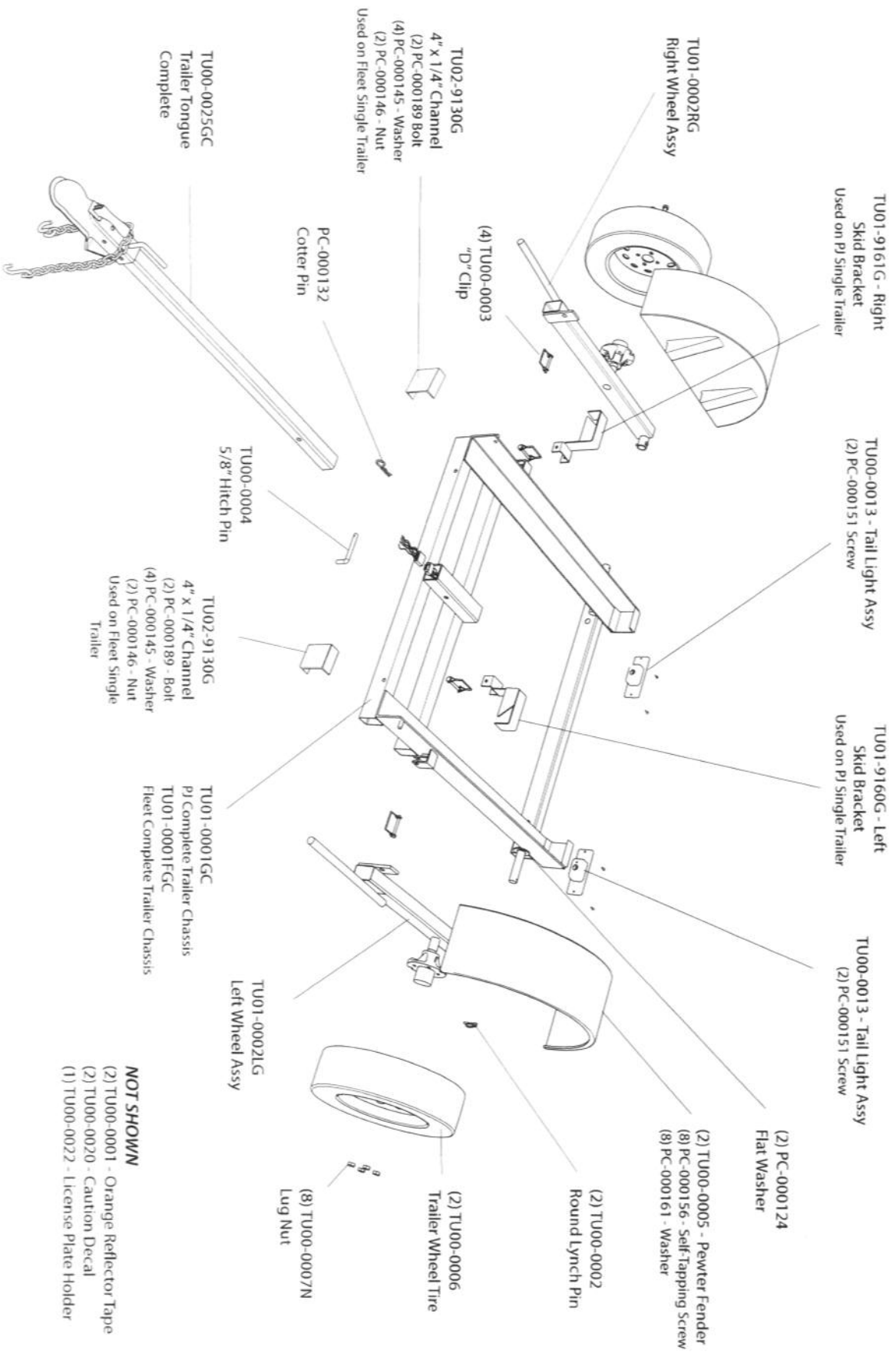
"PolyJohn is a family owned, state of the art, plastics manufacturing company dedicated to providing its employees with a work environment committed to excellence, and its customers with innovative products, services and technology that meet or exceed their requirements."

THANK YOU FOR PURCHASING POLYJOHN PRODUCTS!

Look for us on the Web at www.PolyJohn.com

For Sales, Parts, Loans
Request a Quote
Phone: 800-293-1595

TU01-1000 - PJ Single Trailer Chassis
TU01-1001 - Fleet Single Trailer Chassis



TU01-9161G - Right Skid Bracket
 Used on PJ Single Trailer

TU00-0013 - Tail Light Assy
 (2) PC-000151 Screw

TU01-9160G - Left Skid Bracket
 Used on PJ Single Trailer

TU00-0013 - Tail Light Assy
 (2) PC-000151 Screw

TU01-0002RG
 Right Wheel Assy

(2) PC-000124 Flat Washer
 (2) TU00-0005 - Pewter Fender
 (8) PC-000156 - Self-Tapping Screw
 (8) PC-000161 - Washer

TU02-9130G
 4" x 1/4" Channel
 (2) PC-000189 Bolt
 (4) PC-000145 - Washer
 (2) PC-000146 - Nut
 Used on Fleet Single Trailer

TU00-0025GC
 Trailer Tongue Complete

(4) TU00-0003 "D" Clip

PC-000132
 Cotter Pin

TU00-0004
 5/8" Hitch Pin

TU02-9130G
 4" x 1/4" Channel
 (2) PC-000189 - Bolt
 (4) PC-000145 - Washer
 (2) PC-000146 - Nut
 Used on Fleet Single Trailer

TU01-0001GC
 PJ Complete Trailer Chassis
 TU01-0001FGC
 Fleet Complete Trailer Chassis

TU01-0002LG
 Left Wheel Assy

(2) TU00-0006 Round Lynch Pin
 (2) TU00-0006 Trailer Wheel Tire
 (8) TU00-0007N Lug Nut

NOT SHOWN
 (2) TU00-0001 - Orange Reflector Tape
 (2) TU00-0020 - Caution Decal
 (1) TU00-0022 - License Plate Holder