



® Installation & Maintenance

Before installing the sink, a 1-1/8" drain hole that will accept the drain hose must be cut in the waste tank. This hole should be located on the top left or right front edge of the waste tank approximately 16" up from the base skid.

Place the sink flat against the sidewall, making sure the drain hose is routed through one of the moulded in channels along the back. There are two square recesses to the left and right of the water spigot (see figure 1), to attach the sink to the sidewall drill a 13/64" hole into the center of both square recesses. Fasten to the sidewall from the interior by putting a PC-000106 washer at the head of a PC-000107 rivet and have someone hold a PC-000123 and a PC-000106 washer on the rivet stem on the exterior. Attach sink to base skid; Drive two PC-000158 self-tapping screws in the predrilled holes in the sink mounting plate.

Installation is complete.

IMPORTANT DECALS

NOT FOR COOKING OR DRINKING, required by law in certain areas of the U.S. Other geographical areas require that the materials used to manufacture the sinks comply with the U.S. Federal Food and Drug Administration (FDA) guidelines 21 CFR 175.300 (resins), 177.1520 (olefin polymers) and 178.3297 (colorants for polymers). The materials also comply with the U.S. Public Health Service Drinking Water Standards, 42 CFR part 72 and U.S. Environmental Protection Agency Interim Primary Drinking Water Regulations 40 CFR part 141.

HANDS FREE SINK, instruction for user to use foot pump to operate the sink.

UNIT MUST BE DRAINED BEFORE TRANSPORTING, reminds service operator to empty the sink before transporting.

CLEANING

Use a mild soap to clean all surfaces and component parts.

Minor scratches and abrasions can be lightly sanded or scrubbed with a mild abrasive cleaner containing calcium carbonate, hypochlorate bleach and detergents, such as Soft Scrub. Rinse the cleaned area and buff with an automotive paste type wax.

WINTERIZING

Drain all water from the sink.

Depress the foot pump to clear lines.

Flush tank with a solution of chlorine and water.

For a source of cleaning, deodorizing and paper products contact:

RID IT
2500 GASPAR AVE.
WHITING, IN 46394-2175
800-292-1305
PSE2 Manual - November - 2003
Page 4 of 4



® POLYJOHN® PSE2 SERIES HAND WASH STAND

PRODUCT INSTALLATION INSTRUCTIONS

TECHNICAL MANUAL

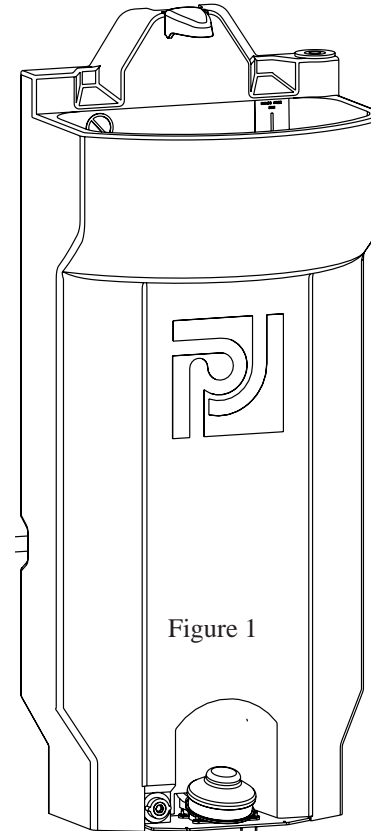


Figure 1

Height	44.5 in.	113 cm.
Width	18 in.	45 cm.
Depth	13 in.	33 cm.
Tank Capacity	17.5 gal.	66 ltr.
Pump Capacity (per stroke)	2 fl. oz	59.14 ml
Number of Single Dispenses	1,120	1,120
Weight Empty	21.5 lb.	9.75 kg.
Weight Full	167 lb.	76 kg.
<u>Sink Basin</u>		
Height	6.5 in.	16.5 cm.
Width	16.5 in.	42 cm.
Depth	10.25 in.	26 cm.

TOOLS REQUIRED FOR INSTALLATION

- Phillips, cross-head screwdriver
- 3/8" Hex-key wrench
- 5/8" Hex-key wrench
- Drill with 13/64" bit
- 1-1/8" hole saw
- Rivet Gun
- Tape measure

We recommend reading through the manual prior to proceeding with installation or service. All references to left and right throughout the manual are as viewed from the front of the restroom.

POLYJOHN USA

PolyJohn Enterprises Corp
2500 Gaspar Ave.
Whiting, IN 46394
Phone: 800-292-1305
Fax: 219-659-0625
www.polyjohn.com
info@polyjohn.com

POLYJOHN WORLDWIDE

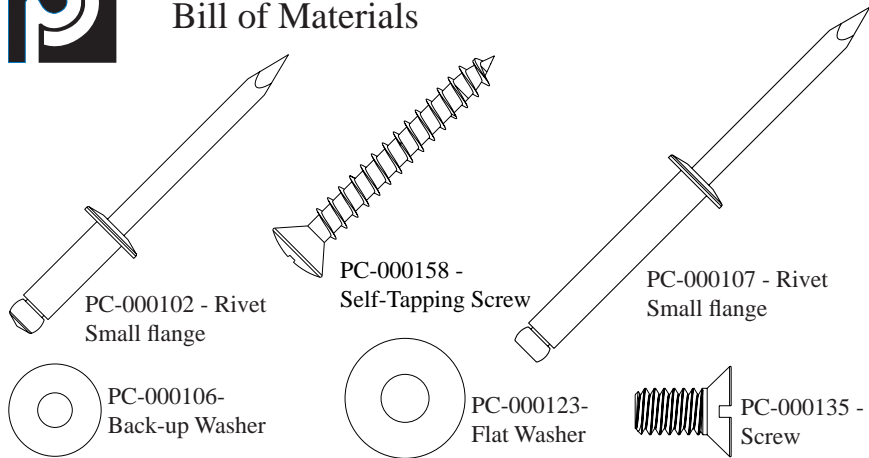
PolyJohn (UK) Ltd.
Equinox 1 Audby Lane
Wetherby, England LS22 7RD
Phone: 44 (0) 1937-583333
Fax: 44 (0) 1937-583322
sales@polyjohn.co.uk

POLYJOHN CANADA

Rama Plastics
P.O. Box 2300.
199 Forest Plain Rd.
Orillia, Ontario LV3 6S2
Phone: 705-325-4200
Fax: 705-325-8250
rpi@bconnex.net



Full Size Scale of Fasteners & Bill of Materials



ITEM	PART #	DESCRIPTION	REQ
1	PC-000107	Rivet, small flange - spigot to bowl	2
2	PC-000339	Elbow, 3/8" - fresh water out at spigot	1
3	PC-000554	1" Plastic plug	1
4	PC-000106	Washer, 3/16", back-up - spigot to bowl	2
5	PC-000581G	Spigot, water tap	1
6	PC-000790	Decal, Foot Pump	1
7	PC-000782	Decal, Not for Drinking or Cooking	1
8	PSE2-0001	Sink Tank	1
9	PC-000415	Uniseal, 3/8" tube to sink tank	1
10	CT38-003	Tube, 3/8" x 3" long - intake water port	1
11	PC-000600	Baby Foot Pump	1
12	PC-000102	Rivet, small flange - pump to mounting plate	4
12a*	PC-000106	Washer, 3/16", back-up - pump to mounting plate	4
13	PS02-0003	Mounting Plate	1
13a*	PC-000135	Screw - mounting plate to tank	2
14	PC-000551	Plug, 1/2" MPT - drain	1
15	CT38-046	Tube, 3/8" x 46" long - fresh water pump to spigot	1
16	CH63-036	Drain Hose, 5/8" x 36" long	1
17	PC-000351	Hose Clamp - drain hose to straight adapter	1
18	PC-000333	Straight adapter, 1/2" mpt x 5/8" barb	1
19	PC-000371	1/2" x 1" Plastic bushing	1
**	PC-000783	Decal, Transport	1

Items with an * are not shown but are used with that item number
 ** Denotes required decal not shown



Parts Drawing - Exploded View

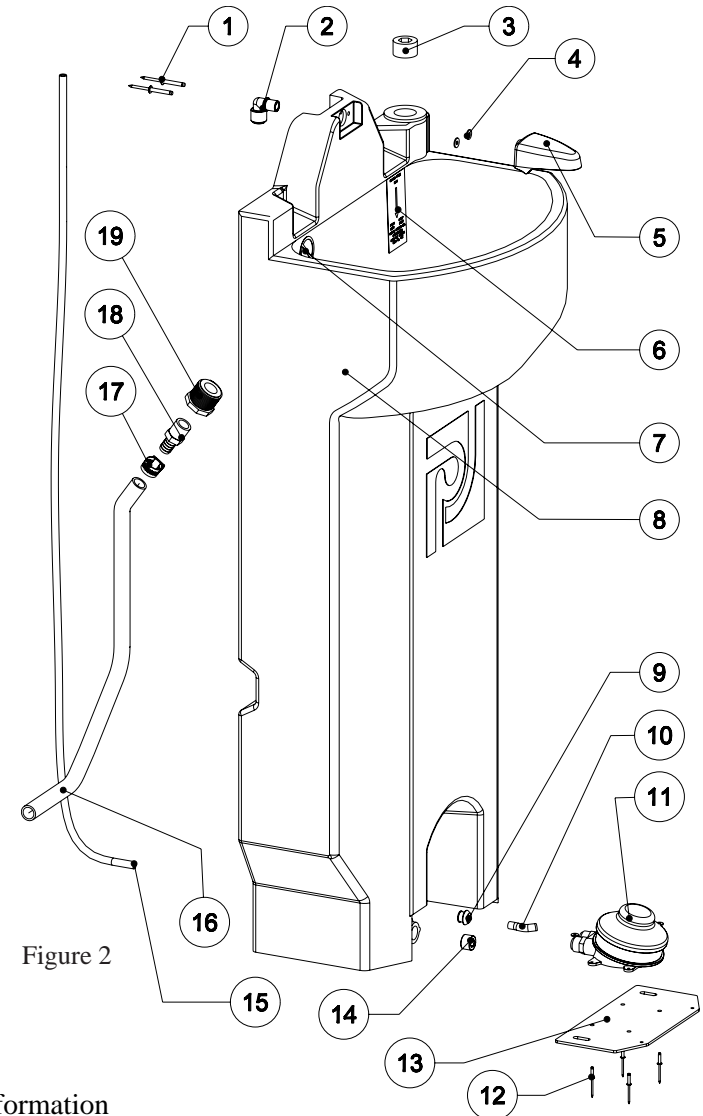


Figure 2

General Information

This self-contained hand wash sink is designed for installation in the PJ03 SERIES portable restroom. It will fit in many other similar types of portable restrooms including the PJN3 Series restroom. It is supplied fully assembled including all fasteners for installation and will fit on either sidewall. One person will be required for installation with some assistance holding the back-up washers when riveting the sink to a sidewall.